



| ITEM | PART# | QTY. | DESCRIPTION |
|------|--------|------|-------------------------|
| 1 | 5526HO | 1 | 1-1/4 Receiver Mount |
| 2 | 6021HO | 2 | Cross Bar Tube Mount |
| 3 | 6020HO | 1 | Snowmobile Tunnel Mount |
| 4 | 5546HO | 1 | J-Tube Adaptor Bracket |
| 5 | 5018HO | 1 | Auger Carrier |

AUGER CARRIER RAIL MOUNT KIT 5345K

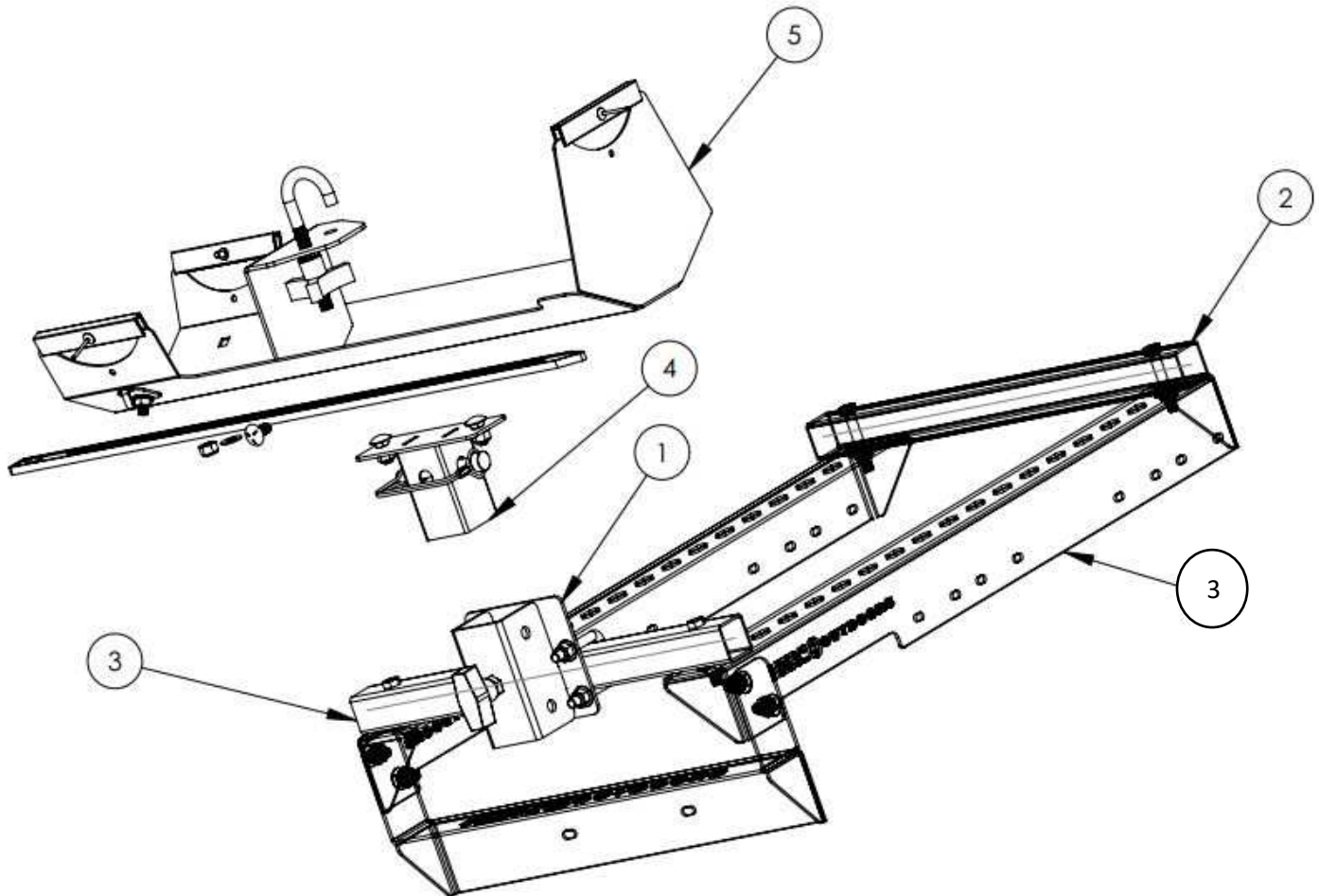
Attach item 3 (snowmobile tunnel mount to you sled with mounting kit which is sold separately per sled.

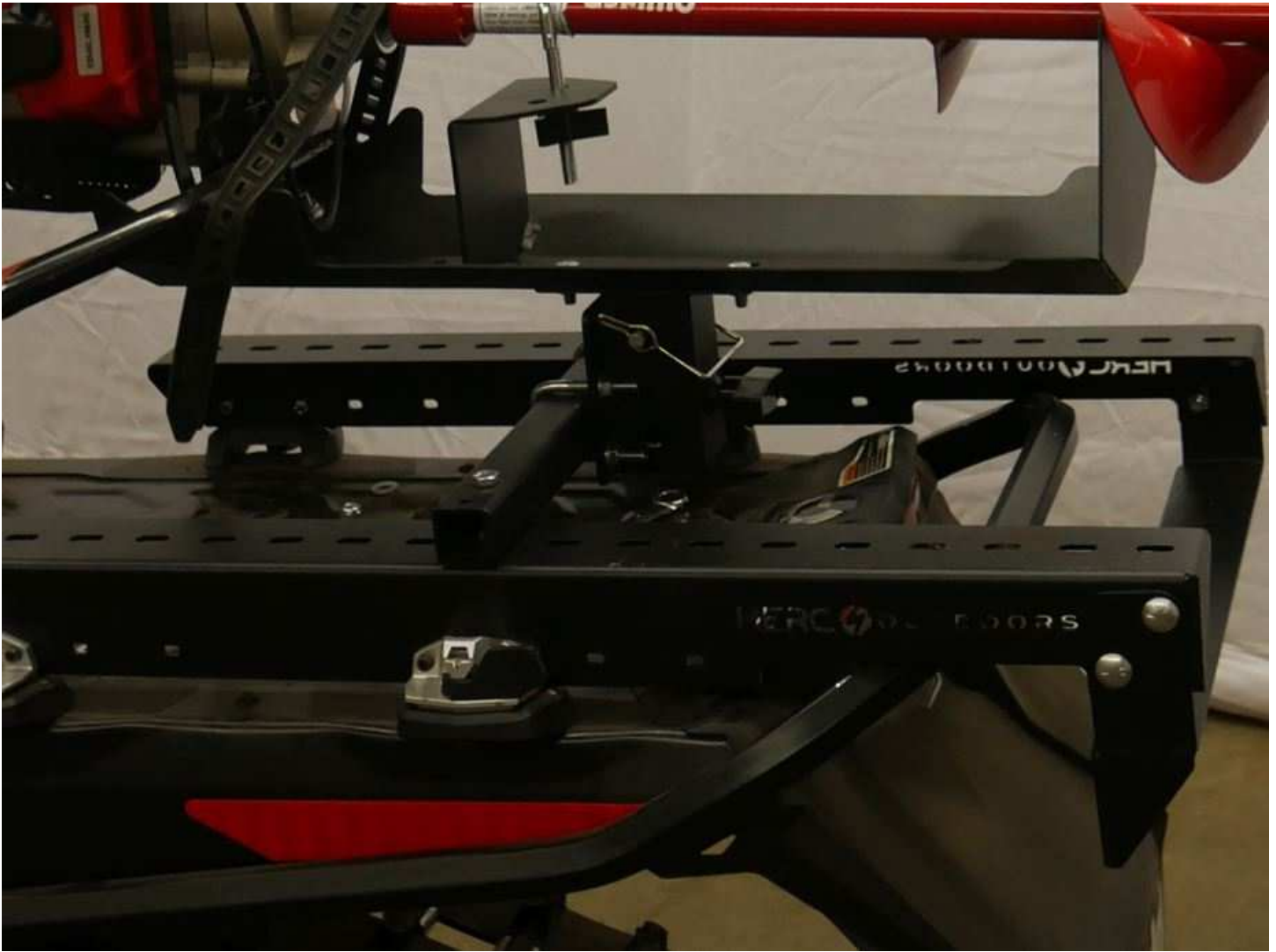
Attach cross bar tubes in desired position on tunnel mount.

Attach the 1-1/4" receiver mount to cross bar.

Attach the assembled Auger Carrier to the J-Tube Adaptor Bracket with hardware in J-Tube Adaptor then slide into the receiver mount and use the wire loop pin to keep in location and the tightening knob to lock down.

Use strap to secure auger in the holder. Can be mounted lengthwise or sideways.





Picture show complete kit mounted with auger going lengthwise.

Always use the J-Bolt and Rubber Strap to secure down whenever moving.

Do not leave Auger in holder while traveling down the road is intended for traveling from vehicle to fishing location.