

POLARIS SPORTSMAN WINCH MOUNT INSTRUCTIONS

ITEM	PART#	QTY.	DESCRIPTION
1	1501-1	1	Rear Support Plate
2	1501-2	1	Main Winch Mount Plate
3	HDW2050	4	5/16 x 3/4 Hex Bolt
4	HDW7058	4	5/16 Nylock Nut

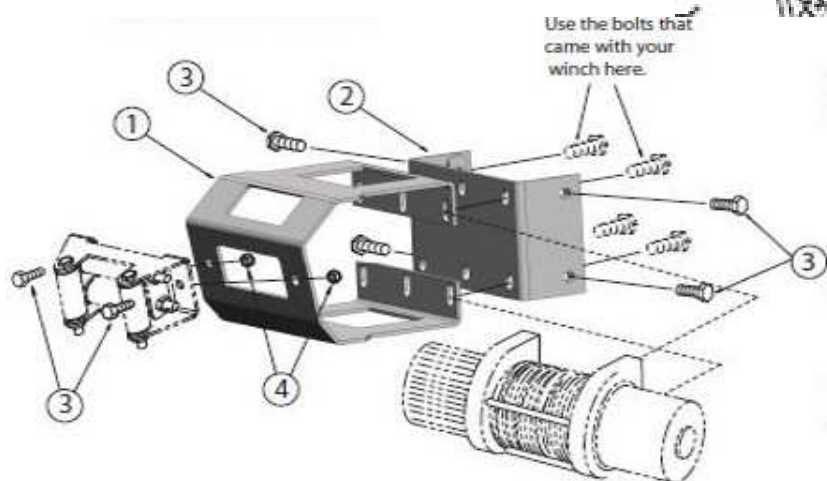
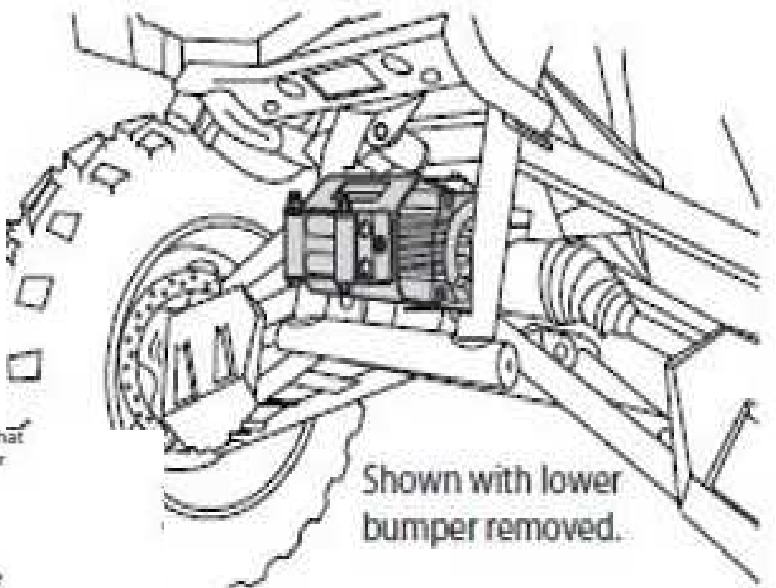
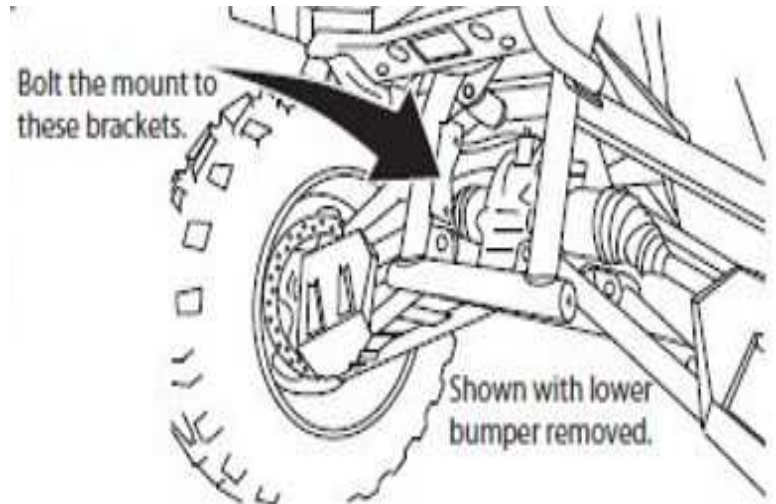
Remove the stock lower bumper pan assembly.
 On Scrambler models remove re-move front plastic

You should assemble the winch mount assemble and winch before installing on machine along with the fairlead. Fairlead location should angle toward the ground and the other rectangle should be toward the top.

Slide the winch into assemble item 1 and make sure the cable pulls off the top of spool. Now line up item 2 with the back of item one and winch and attach together with the bolts and lock washers provided with the winch going through both plate and into winch this will tie the assemble together.

Place winch into machine and bolt to the bracket on the bumper using the 5/16 x 3/4 hex bolt and nylock nuts to secure in place. Reattach the lower bumper pan (On some models trimming maybe required for Winch clearance or fairlead clearance)

Wire per winch manufactures instruction.



Question or Comment Call 320-964-1616
 Monday thru Thursday 7:00 to 4:30 CST