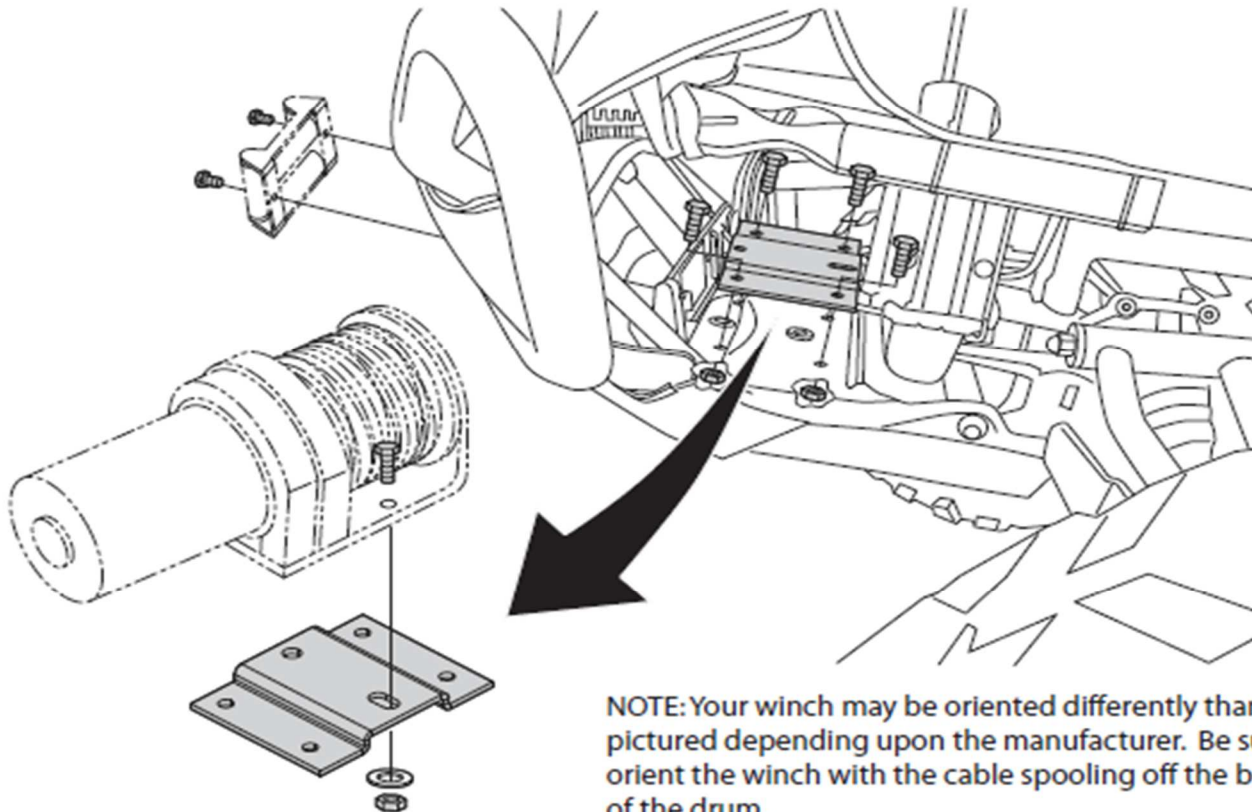


WINCH MOUNT INSTALLATION INSTRUCTIONS
ARCTIC CAT

ITEM	PART#	QTY.	DESCRIPTION
1	1512	1	Winch Mount Plate
2	HDW2050	6	5/16 x 3/4 Hex Bolt
3	HDW7058	6	5/16 Nylock Nut
4	HDW1050	2	M8 x 20mm Hex Bolt
5	HDW9002	1	5/16 Flat Washer

1. Position winch on the mount so the cable pulls from the bottom of the drum and secure with (2) 5/16" x 3/4" bolts and 5/16" nylock nuts. Be sure to use the 5/16" washer under the slotted hole.
2. Place winch and mount inside of bumper per illustration. Bolt down using (4) 5/16" x 3/4" hex bolts and (4) 5/16" nylock nuts.
3. Install your roller fairlead (not included) using (2) 8mm x 20mm hex bolts (rollers should turn freely). **NOTE:** Bottom roller may need to be removed to run wire rope through.
4. Using the instructions provided with the winch, wire accordingly.



NOTE: Your winch may be oriented differently than pictured depending upon the manufacturer. Be sure to orient the winch with the cable spooling off the bottom of the drum.

