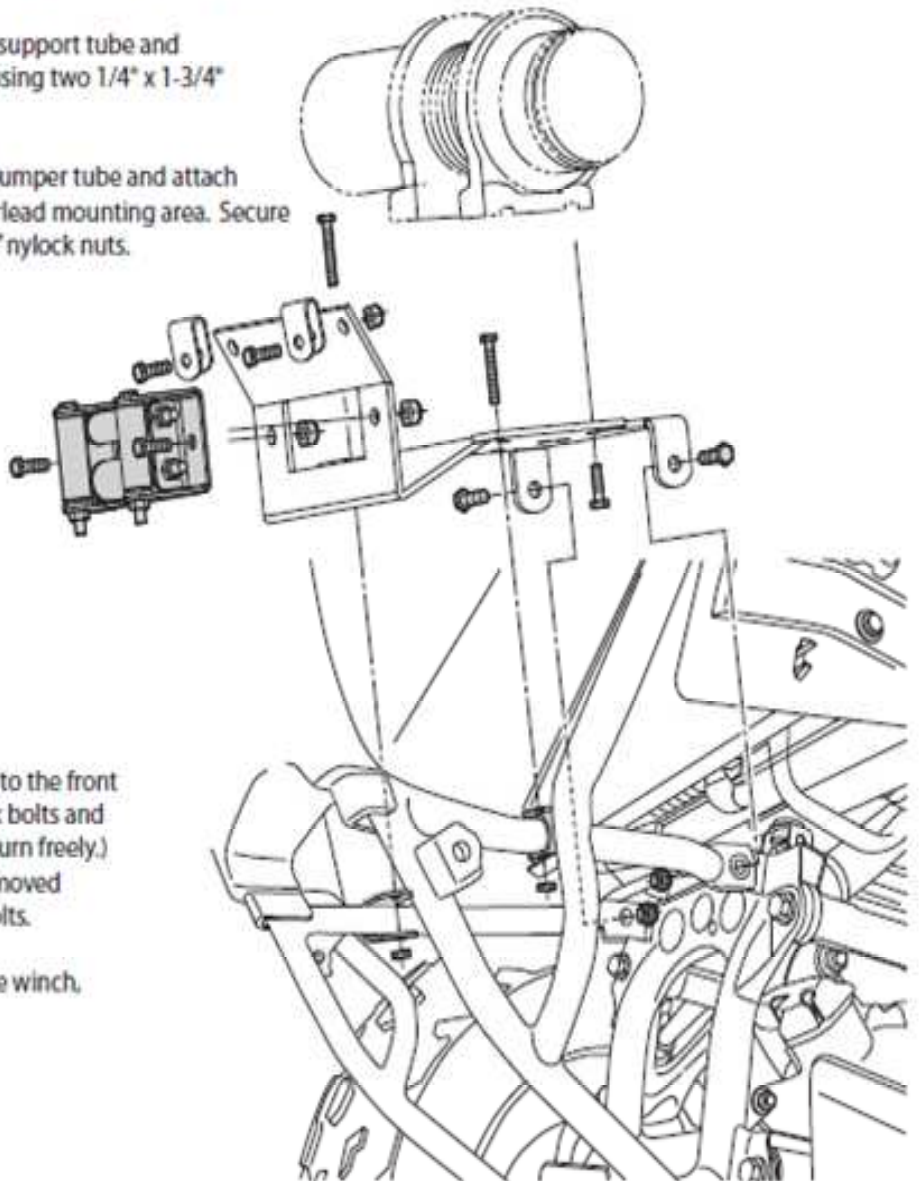


WINCH MOUNT INSTRUCTIONS
03-17 Honda 650/680 Rincon

ITEM	QTY.	PART#	DESCRIPTION
1	1	1524-1	Main Winch Plate
2	4	HDW2004	1/4 x 1-3/4 Hex Bolt
3	2	HDW2050	5/16 x 3/4 Hex Bolt
4	4	HDW7050	1/4 Nylock Nut
5	3	HDW7058	5/16 Nylock Nut
6	1	HDW2072	5/16 x 1 Button Head Bolt
7	4	KD20P	3/4 U-Clamp

(Roller fairlead is not included with this kit)

1. Remove front lower skid pan. Remove the two middle bumper support bolts and retain for later use.
2. Place winch mount on top of bumper support tubes. The front of the mount should be behind the front bumper tubes.
3. Attach back of mount using the two factory middle bumper support bolts.
4. Place u-clamps around middle bumper support tube and attach to winch mount per illustration using two 1/4" x 1-3/4" hex bolts and 1/4" nylock nuts.
5. Place two u-clamps around the upper bumper tube and attach to the winch mount above the roller fairlead mounting area. Secure with two 1/4" x 1-3/4" hex bolts and 1/4" nylock nuts.
6. Tighten all bolts.
7. Attach winch to the top of the winch mount with the hardware provided with the winch. **Note:** Some winches with the longer motors will require the plastic radiator shroud to be trimmed for clearance.
8. When installing a two bolt pattern winch, use the provided 5/16" x 1" button head bolt in the front (closest to the fairlead) bolt hole.
9. Attach the roller fairlead (Not included) to the front of the mount using two 5/16" x 3/4" hex bolts and two 5/16" Nylock nuts. (Rollers should turn freely.) **Note:** Bottom roller may need to be removed to run wire rope through. Tighten all bolts.
10. Using the instructions provided with the winch, wire accordingly.



PAGE 2

Orientate your winch so the cable comes off the bottom of the drum.

NOTE: Roller fairlead not included with this kit!

Factory bumper bolts

