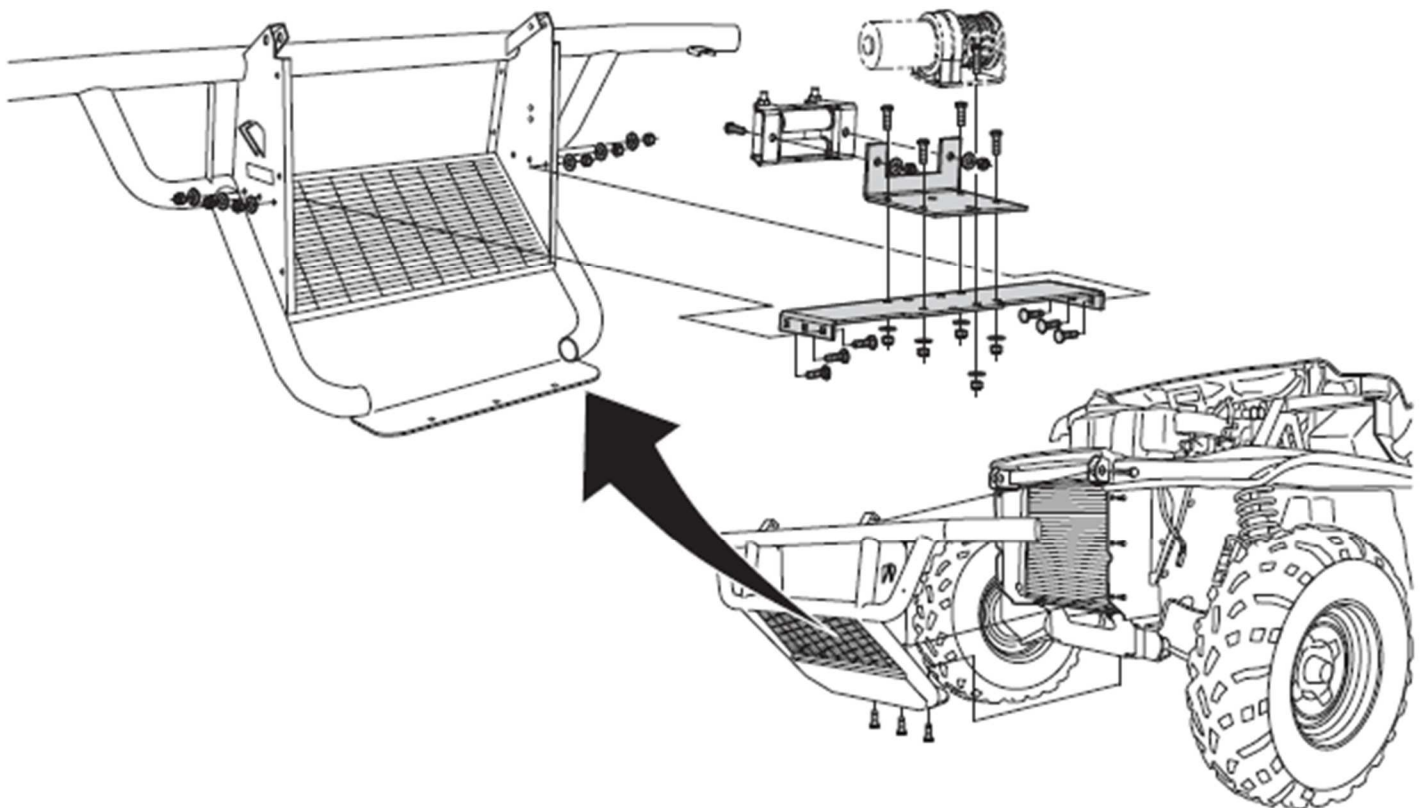


WINCH MOUNT INSTALLATION INSTRUCTIONS
03-08 Polaris Ranger 500, 05 Ranger 500 6x6
05-08 Polaris Ranger 700, 09 Ranger 700 6x6

ITEM	PART#	QTY.	DESCRIPTION
1	1598-1	1	Main Winch Mount Plate
2	1598-2	1	Fairlead Plate
3	HDW2069	6	5/16 x 3/4 Carriage Bolt
4	HDW7058	6	5/16 Nylock Nut
5	HDW9002	6	5/16 Flaty Washer

NOTE: Fairlead is not included with this winch mount.

- 1 – Remove the top (2) Torx Bolts.
- 2 – Remove the bottom (3) bumper bolts and the top (2) bumper bolts.
- 3 – Fold the tab up and push in the plastic buttons and remove the front bumper.
- 4 – Remove the flat grate from inside the bumper.
- 5 – Install the winch mount on the inside of the bumper like shown in illustration using the 6 – 5-16 x 3/4 carriage bolts Washers and nylock nuts.
- 6 – Align winch and install winch making sure the fairlead plate is between winch and mount. You will use hardware Provided with winch to install winch and fairlead.
- 7 – Reinstall the bumper to the machine.
- 8 – Wire winch to winch manufacturers instructions.



FOR QUESTIONS OR COMMENTS PLEASE CALL: 320-964-1616

(Hours are 7:00 to 4:30 CST, Monday thru Thursday)

INST1598