

WINCH MOUNT POLARIS RZR

ITEM	PART#	QTY.	DESCRIPTION
1	1607-1	1	Main Winch Plate
2	1607-2	1	Fairlead Mount Plate
3	HDW2050	6	5/16 x 3/4 Hex Bolt
4	HDW7058	6	5/16 Nylock Nut
5	HDW9002	6	5/16 Flat Washer

NOTE: Fairlead is not included with this mount kit.

Remove the front trunk of the machine and set aside. Remove the front plastic bumper of the machine and set aside. Make sure to keep track of all of the hardware and the location it was removed from.
Note: Unplug the headlights before the front bumper is removed.

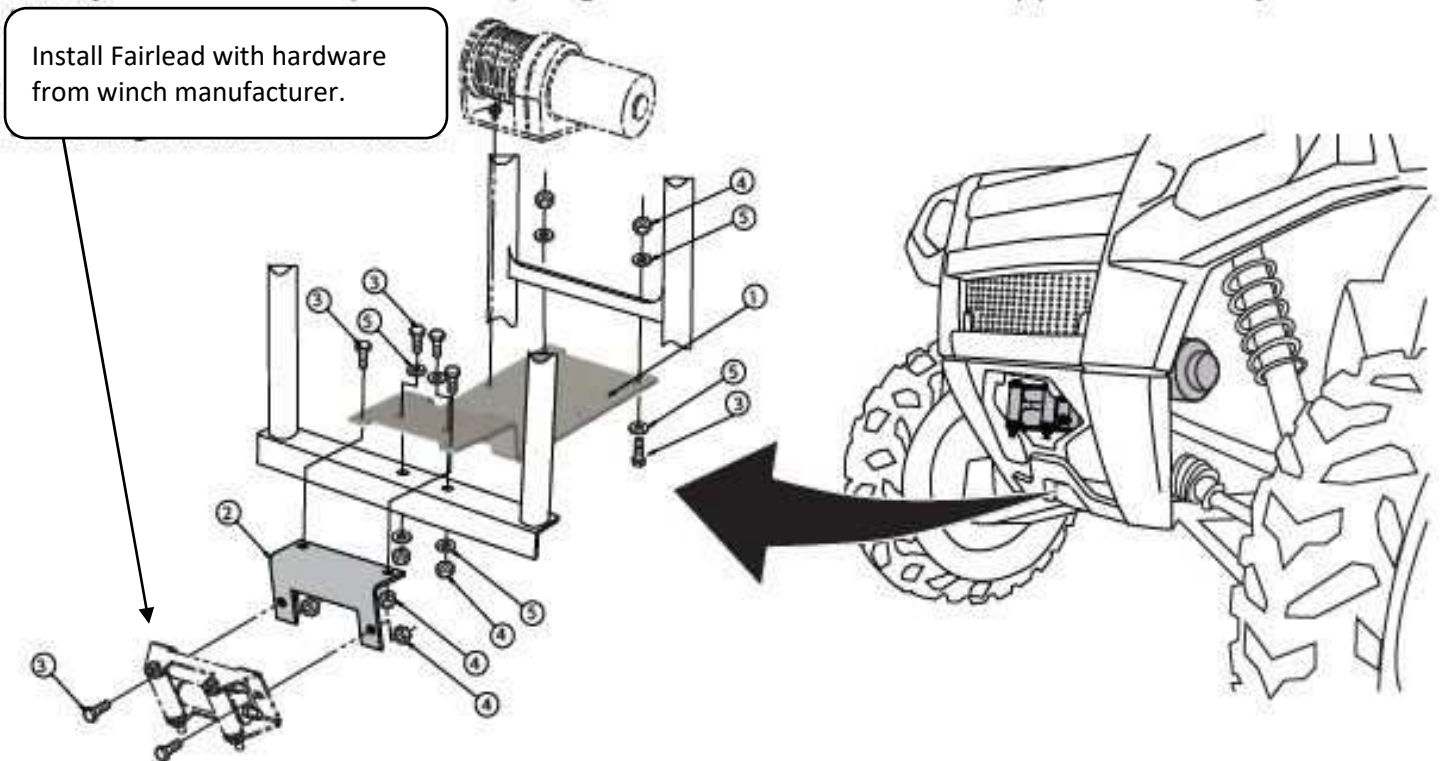
You need to pull the radiator out of the way for the mount to fit into place. Remove the two top radiator bolts. You can now pull the radiator up and forward to come out of the bottom mounts. Do not disconnect the radiator hoses. Install the main plate (1) down through the front trunk and into place below the radiator.

Behind the radiator there are two mounting points similar to the illustration below. Position the Main Plate (1) as shown onto the mounting points and install two 5/16" x 3/4" Hex Head Bolts (3), four 5/16" Flat Washers (5), and two 5/16" Nylock Nuts (4) to the front mounting points. Repeat this step for the rear mounting points, except insert the bolts upward and seat the nuts on top of the washers as illustrated.

Install the Roller Fairlead Plate (2) as illustrated using two 5/16" x 3/4" Hex Head Bolts (3) and two 5/16" Nylock Nuts (4).

Install the winch to the main plate using the hardware provided with the winch. Run the winch cable through the square cut-out in the main plate, then through the center of the roller fairlead plate.

Re-Install the front bumper and trunk with original hardware.



FOR QUESTIONS OR COMMENTS PLEASE CALL: 320-964-1616
(hours are 7:00 to 4:30 CST, Monday thru Thursday)

INST1607