

ITEM	PART#	QTY.	DESCRIPTION
1	1609-100	1	Main Mount Plate
2	1609-02	1	Fairlead Plate
4	HDW7058	2	5/16 Nylock Nut
5	HDW7061	3	3/8 Nylock Nut
6	HDW2100	2	3/8 x 1 Hex Bolt
7	HDW2115	1	3/9 x 3-3/4 Hex Bolt
8	HDW2064	2	5/16 X 1 Carriage Bolt
9	1609-200	1	Roller
10	HDW2352	2	7/8 Bushing

## 2011- 2014 Polaris RZR 900

**NOTE:** Fairlead is not included with the kit.

**NOTE:** Will not fit two bolt pattern winches or some Winches with the wide roller fairleads !

Remove the front hood cover of the machine and set aside. Remove the front plastic bumper of the machine and set aside. Make sure to keep track of all of the hardware and the location it was removed from. **Note: Unplug the headlights before the front bumper is removed.**

Install the roller (#9) and roller bushings (#10) onto the main mount plate using the 3/8" x 3-3/4" hex bolt (#7) and 3/8" nylock nut (#5). See illustration for placement of the roller on the mount.

Put the mount into place on the RZR. The mount will sit on top of the frame rail in back and underneath the bracket on the bumper in the front. Loosely bolt the rear of the mount on top of the frame rail using two 3/8" x 1" hex bolts (#6) and 3/8" nylock nuts (#5).

Slide the roller fairlead bracket (#2) underneath the main winch plate. Bolt them all together from the top through the bracket on the bumper, winch mount plate, and the roller fairlead bracket using two 5/16" x 1" carriage bolts (#8) and 5/16" nylock nuts (#4).

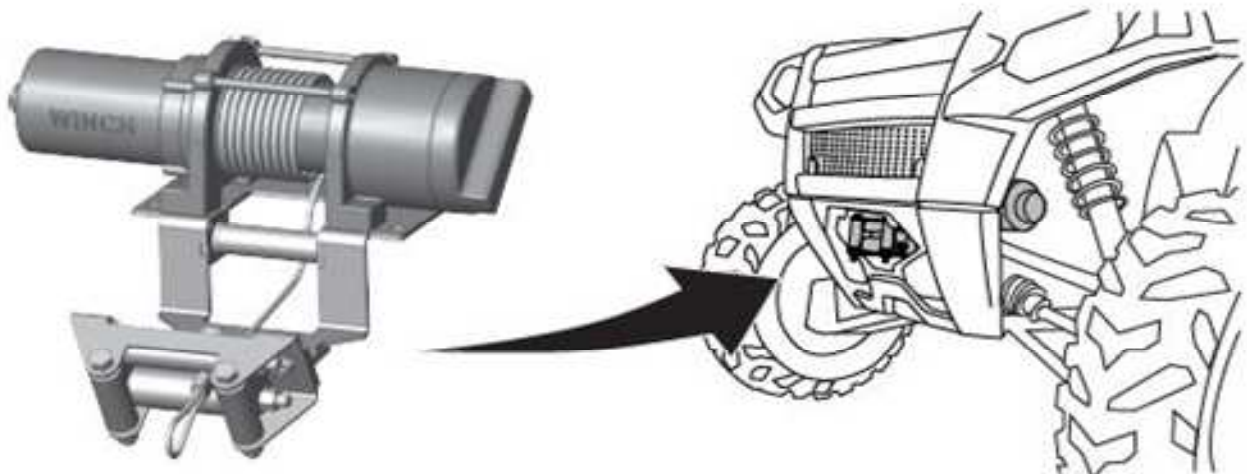
Install fairlead with hardware provided by winch manufacturer.

Install the winch to the main plate using the hardware provided with the winch. Orientate the winch so the cable comes off the bottom of the drum. Run the winch cable down through the square cut-out in the main plate, UNDERNEATH the roller in the mount plate, then through the center of the roller fairlead. If using a synthetic winch cable and aluminum hawse, you may need different mounting hardware, check the hardware that was included with your hawse.

**NOTE:** Some winches have a crossbar support that must be removed so it does not interfere with the cable.

Re-install the front bumper and front hood cover using the hardware retained. Plug the headlights back in.

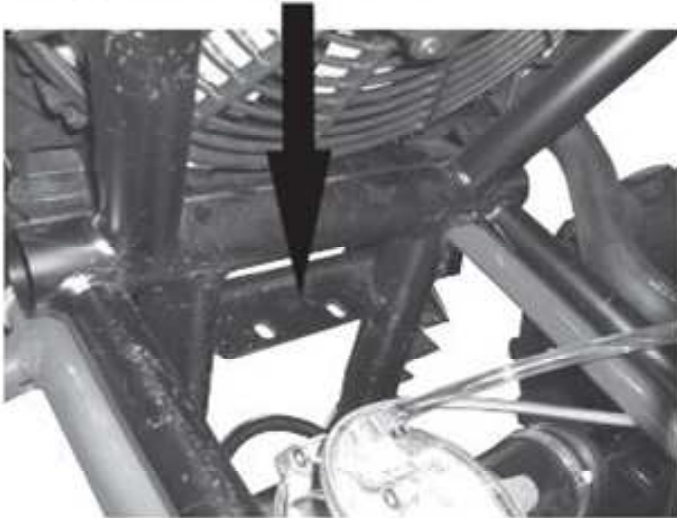
Wire your winch according to the winch manufacturers instructions.



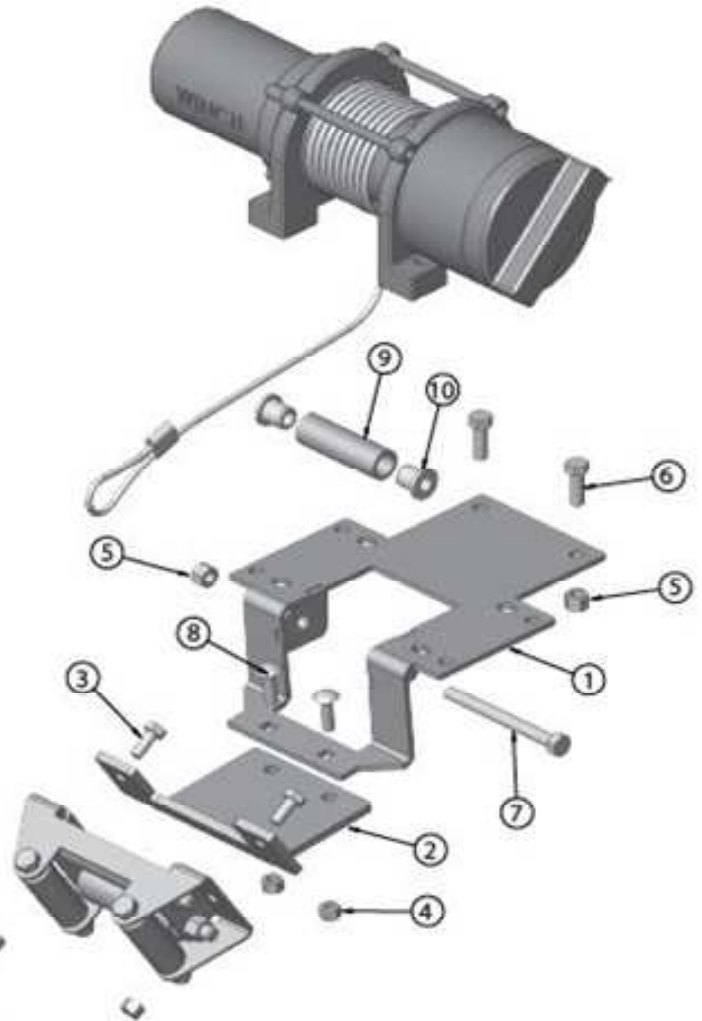
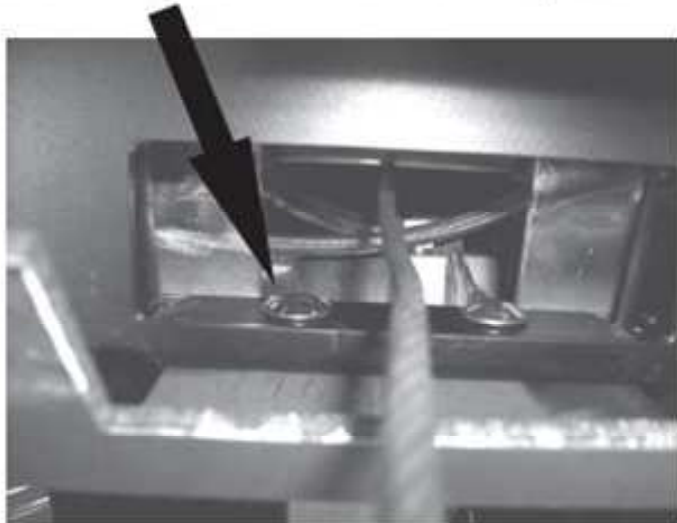
# WINCH MOUNT KIT POLARIS RZR 900

## PAGE 2

Front of the mount and roller fairlead bracket bolt underneath this bumper bracket. Attach with 5/16" carriage bolts and nylock nuts.



Carriage bolts install from the top of the bumper bracket. Roller fairlead bracket and front of mount install below the bumper bracket.



Back of the mount plate bolts on top of this frame bracket.

