

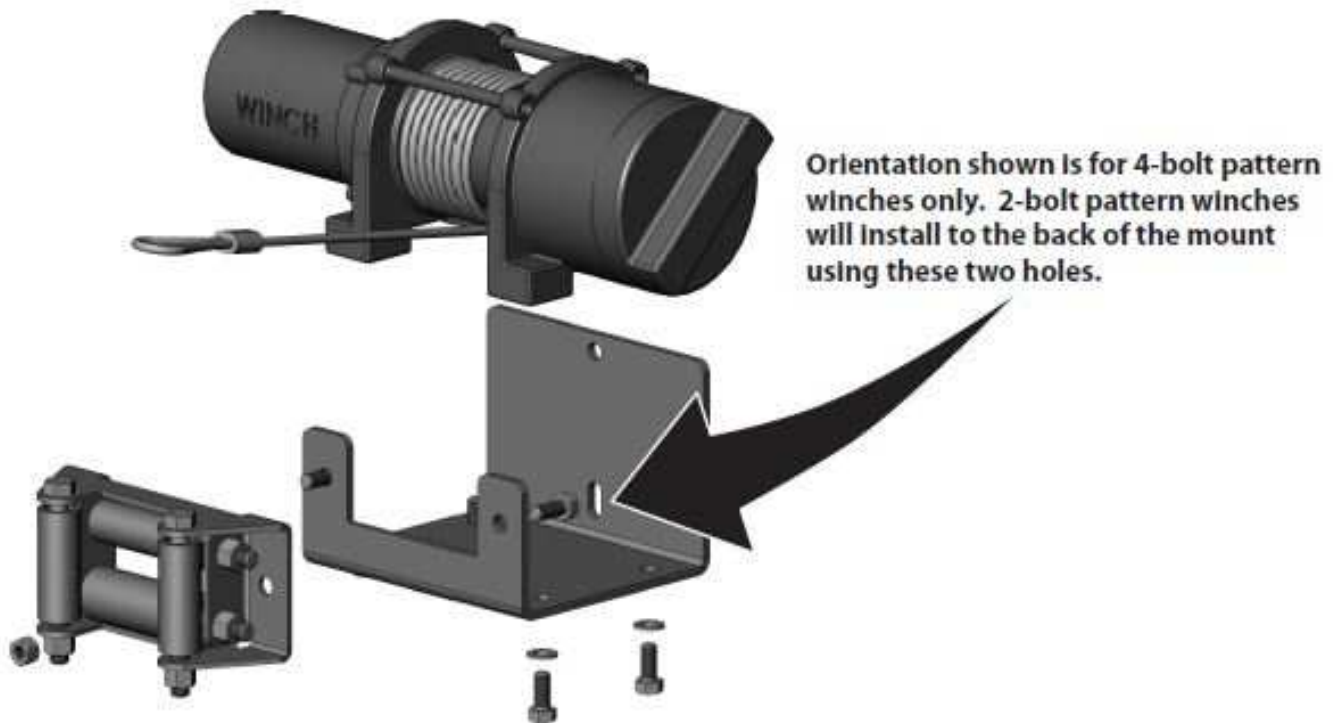
Item	Qty.	Part#	Description
1	1	1635-1	Winch Mount Plate
2	4	HDW2050	5/16" x 3/4" Hex Head Bolts
3	4	HDW7058	5/16" Nylock Nuts
4	4	HDW9002	5/16" Flat Washers

# Winch Mount Kit

## 2012-14 Kawasaki Brute Force 300

1. Remove the front plastic bumper cover. Retain all hardware.
2. Position the Winch Mount Plate (1) in place on top of the metal support brackets. Note that to align the four holes you will need to trim the radiator shroud plastic so the mount can be pushed back far enough. Use a marker to draw where the shroud will need to be cut. Remove the mount and trim the plastic using a sharp knife or cut-off wheel. Set the mount back in place, aligning all four holes.
3. If mounting a 4-Bolt pattern winch, set it in place on the mount over the four aligned holes. Bolt everything together from the bottom using the bolts that came with your winch (You **MUST** use the metric bolts included with your winch). **NOTE:** Depending upon your make and model of winch you may need to trim the sides of the radiator shroud for motor clearance.
4. If mounting a 2-Bolt pattern winch, it will mount vertically to the two holes in the back of the winch mount. Orientate the winch so the cable comes off the bottom of the drum and bolt to the back of the mount using the hardware that came with the winch. Now bolt the mount to the ATV through the four aligned holes using four 5/16" x 3/4" hex bolts and flat washers.
5. Attach your roller fairlead or aluminum hawse to the front of the mount using the hardware that came with your winch.
6. The front plastic bumper cover will need to have a portion of the honeycomb section cut out for clearance with the winch and cable. Set the bumper cover in place on the machine and mark where it will need to be trimmed. Trim using a cut-off wheel or side cutters. Reinstall the bumper cover.

**NOTE: Roller fairlead not included with this kit!**



FOR QUESTION OR COMMENTS PLEASE CALL: 320-964-1616  
( hours are 7:00 to 4:30 CST Monday thru Thursday )

INST1635