

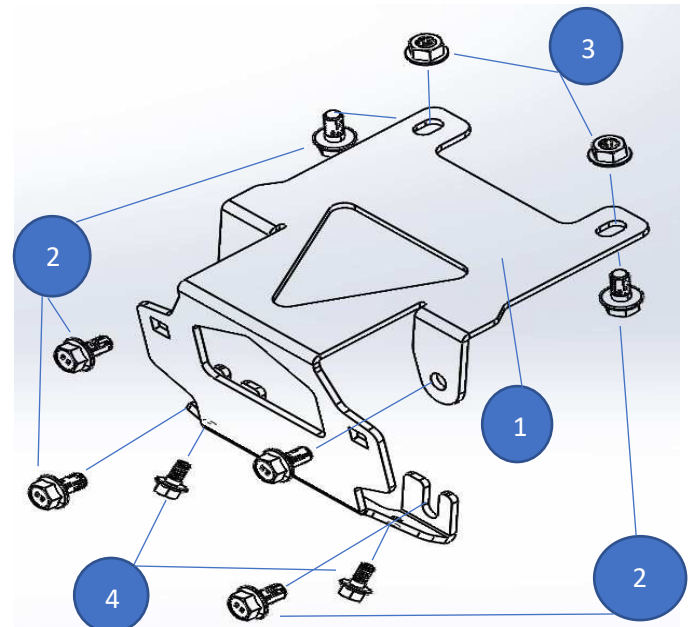
ITEM	PART#	QTY.	DESCRIPTION
1	1640PF	1	Winch Mount Plate
2	HDW1087	6	8mm x 15mm Flange Bolt
3	HDW1042	2	8mm Nylock Nut
4	HDW1114	2	6mm x 12mm Flange Bolt

420 Rancher / 500 Foreman / 500 Foreman Rubicon

Loosen Lower Front Skid Plate.

Remove Front Bumper. Retain Bolts

Remove the plastic grill under the headlights.  
(10 pop-in plastic plugs)



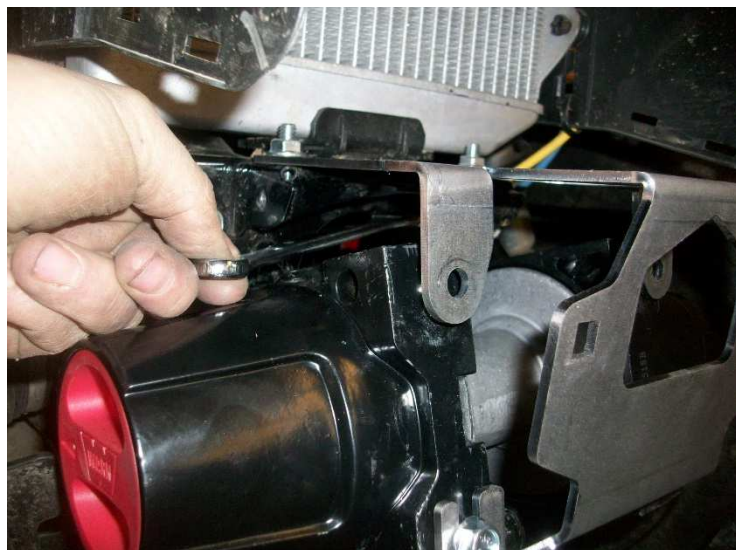
Place winch mount in place as shown using 2 of the 8mm Flange bolt and the 2- 8mm nylock nuts. Do not tighten yet.

Slide winch into place as shown and attach with 2 of the 8mm x 15mm flange bolts in the lower position first. Gets bolts started and then slide down into the slotted groove.

Now attach the upper portion of the winch using the other 2 – 8mm x 15 flange bolts.

Tighten winch up securely.

Now you can tighten the first two bolts that hold the winch mount in place. You will need to use a long wrench to reach the bolt heads from the opposite side.



After winch and mount are secure you can re-attach the Plastic grill under the headlights with the 10 plastic pop in plugs.

Next you can slide the bumper back in place as shown And reattach it with the bolts you retained.

Next you will use the 2 remaining bolts (6mm x 12MM) To attach in the front of the bumper. The bolts will go through the front plate on the bumper an into the treaded holes in the winch mount plate as shown in lower picture.

You can also re-attach the lower skid plate.

**NOTE:** with some winches you may need to trim The plastic to re-attach the lower skid plate.

You will attach the fairlead with bolts provided by the winch manufacturer. **NOTE:** these bolts are not provided with the winch mount.

Any question or comments call 320-964-1616  
( Mon. thru Thur. 7:00 to 4:30 CST )

