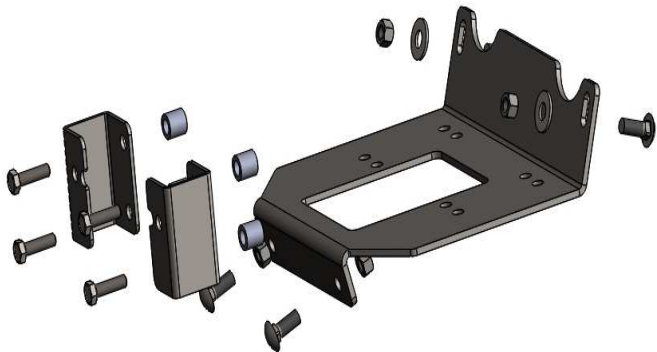


**POLARIS RZR 900/1000/TURBO
WINCH MOUNT INSTRUCTIONS**



QTY.	PART#	DESCRIPTION
1	1631-1	Winch Mount Plate
1	1631-2	Right FairLead Bracket
1	1631-3	Left Fairlead Bracket
4	HDW2122	3/8 x 1 Carriage Bolt
4	HDW7061	3/8 Nylock Nut
2	HDW9001	3/8 Flat Washer
4	HDW1061	8mm x 30mm Hex Bolt
4	HDW9406	5/8 x 5/8 Steel Spacer

19-20 Models you will have to unclip the differential breather hose on top to move out of way. It is also easier to install if you remove the whole front plastic shroud to install the front bolts.

Remove the front plastic cover over the Fairlead opening.

The mount will bolt to existing hole in machine. Slide mount into place as shown with the tall end toward the back of machine going upward, this will align with the square holes in the frame upright. Use the 3/8 x 1 carriage bolts, washer and nylock nuts to hold in place. Attach the front to the holes in the front cross member and secure with the remaining 3/8 x 1 carriage bolts and nylock nuts.

Attach the fairlead bracket to front cross member with the 4 – steel spacers going between the front end and brackets. Use the 4 – 8mm x 30mm hex bolt to secure bracket in place as shown in picture. **NOTE:** Some models will not require the spacer for the fairlead bracket

Tighten all bolt securely.

Wire winch to winch manufactures instructions. Bolt fairlead in place with bolts Provided with winch.

