

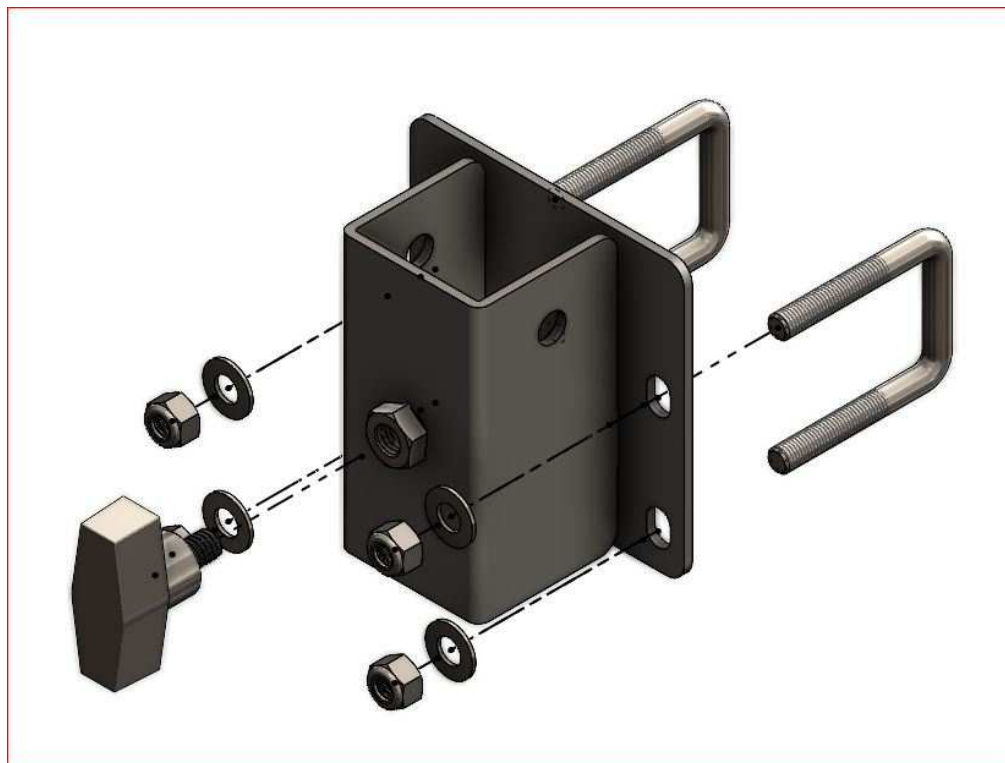


ITEM	PART#	QTY.	DESCRIPTION
1	5526-70	1	Center Mount Weldment
2	HDW2054	2	5/16 x 1-1/4 x 2-1/4 Sq. U-Bolt
3	HDW9002	4	5/16 Flat Washer
4	HDW7058	4	5/16 Nylock Nut
5	HDW9496	1	3/8 Knob Bolt

PART# 5526

Attach Center Mount to a 1-1/4" square tube using the U-Bolts, Washers and Nyock nuts.

Lock accessory in place using the 3/8 Knob bolt.



Questions or Comments Call 320-964-1616 Monday thru Thursday 7:00 to 4:30 CST